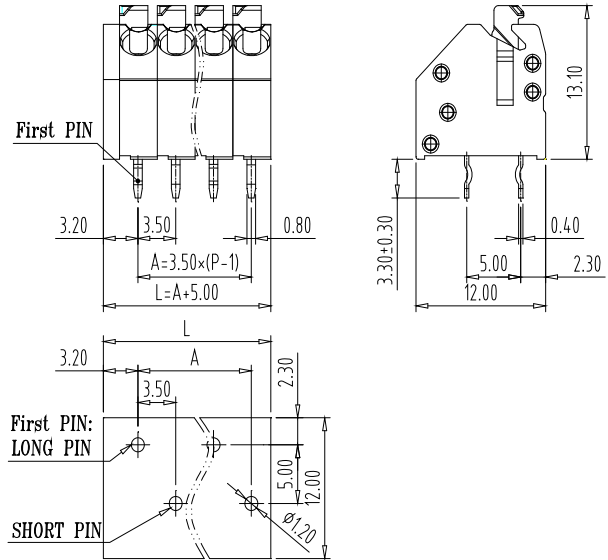
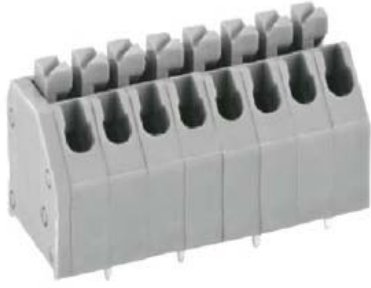


PCB terminal block — TLM series ( Screwless Type ) — TLM-002C



■ 图示(Pic. shown) : TLM-002C-08P-M19

General. PCB terminal block Rated : 250V,2A , 0.75mm<sup>2</sup>  
Single row , 3.50mm pitch , 02-24 Pole  
Wiring orientation:135°(wire-to-board)  
Screwless Type

认证 ( Approval ) :



■ 技术参数 Technical Data	UL standard			IEC standard		
	UL Application group			IEC overvoltage category /pollution degree		
UL应用组别(UL Application group)	B	C	D	III / 3	III / 2	II / 2
IEC过电压别/污染等级(IEC overvoltage category /pollution degree)						
额定电压(Rated voltage)	300V	--	300V	--	250V	--
额定电流(Rated current)	8A	--	8A	--	2A	--
额定连接容量(Rated connection capacity)	28-16AWG(Str), 28-14AWG(Sol)			0.5-0.75mm <sup>2</sup>		
刚性导线横截面 ( AWG ) ( Conductor cross section,solid )				28~14		
柔性导线横截面 ( AWG ) ( Conductor cross section,stranded )				28~16		
刚性导线横截面 ( mm <sup>2</sup> ) ( Conductor cross section,rigid )				0.5~0.75		
柔性导线横截面 ( mm <sup>2</sup> ) ( Conductor cross section,flexible )				0.5~0.75		
柔性导线横截面 , 不带绝缘套管的冷压头(mm <sup>2</sup> ) (Conductor cross section flexible , with ferrule without plastic				0.5~0.75		
柔性导线横截面 , 带绝缘套管的冷压头(mm <sup>2</sup> ) (Conductor cross section flexible , with ferrule with plastic sleeve)				0.5~0.75		
2根具有相同横截面的导线 , 柔性 , 带TWIN套管及塑料套管(mm <sup>2</sup> ) ( 2 conductors with the same section flexible with TWIN ferrule and plastic sleeve )				--		
绝缘材料(Insulation Material)				PA66 UL94 V-0		
绝缘材料组别(Material group)				I		
电流承载部件材料和镀层( Material & Plating of Current carrier )				Copper alloy , Tin plated		
接线弹片材料(Material of Clamp spring )				--		
耐电压(1分钟)(Withstanding Voltage/1Min)				1600V		
额定冲击电压(Rated surge voltage)				4KV		
接线螺丝(Wire clamp unit Screw) , 最大扭矩( torque Max. )				--		
固定螺丝(Mounting Screw) , 扭矩(torque)				--		
剥线长度(Wire stripping length)				8~9mm		
使用温度(Operating temperature)				-40°C up to +115°C		
存储温度(Storage temperature)				-40°C up to +70°C		
存储相对湿度(Storage relative humidity)				≤70%		
焊接方式(Soldering recommend)	Wave soldering ,260°C 5S Max (Single Wave) , 260°C 10S Max(Double Wave)					

■ 订购方式(How to order)

