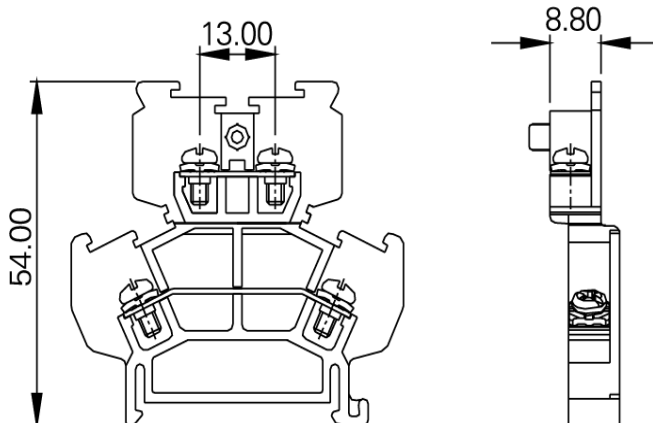


RAIL-MOUNTED DUAL ROW — TBR10D-M

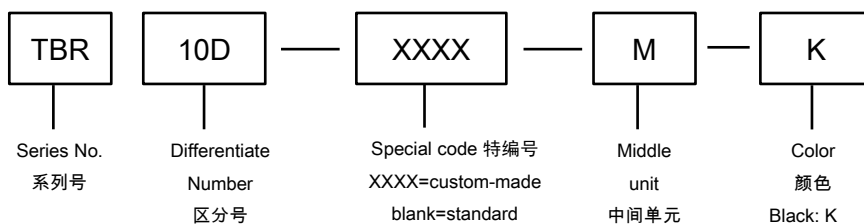


|          |  |                          |
|----------|--|--------------------------|
| General: | ■ 图示(Pic. shown) : TBR10D-M-K          |                          |
|          | Rail-Mounted Dual Row                  | Rated : 600V,15A , 14AWG |
|          | Single row , 8.80mm pitch , 01 Pole    |                          |
|          | Wiring orientation: 180°(wire-to-wire) |                          |
|          | Screw clamp unit: M3.0, 0.8Nm Max      |                          |

认证 ( Approval ) :

| 技术参数 Technical Data                                      | UL standard          |      |    | IEC standard   |         |        |
|--|----------------------|------|----|--|---------|--------|
| UL应用组别(UL Application group)                             | UL Application group |      |    | IEC过电压别/污染等级(IEC overvoltage category /pollution degree) |         |        |
| IEC过电压别/污染等级(IEC overvoltage category /pollution degree) | B                    | C    | D  | III / 3  | III / 2 | II / 2 |
| 额定电压(Rated voltage)                                      | 600V                 | 600V | -- | --   | --      | --     |
| 额定电流(Rated current)                                      | 15A                  | 15A  | -- | --   | --      | --     |
| 额定连接容量(Rated connection capacity)                        | 22-14AWG Sol&Str     |      |    | --   |         |        |
| 绝缘材料(Insulation Material)                                |                      |      |    | PC V2  |         |        |
| 电流承载部件材料和镀层( Material & Plating of Current carrier )     |                      |      |    | Copper alloy , Ni plated                                 |         |        |
| 接线弹片材料(Material of Clamp spring )                        |                      |      |    | --   |         |        |
| 绝缘电阻(Insulation Resistance)                              |                      |      |    | 500MΩ or more at DC500V                                  |         |        |
| 耐电压(1分钟)(Withstanding Voltage/1Min)                      |                      |      |    | 2000V  |         |        |
| 额定冲击电压(Rated surge voltage)                              |                      |      |    | --   |         |        |
| 接线螺丝(Wire clamp unit Screw) , 最大扭矩( torque Max. )        |                      |      |    | M3.0, 0.8Nm Max  |         |        |
| 固定螺丝(Mounting Screw) , 扭矩(torque)                        |                      |      |    | --   |         |        |
| 剥线长度(Wire stripping length)                              |                      |      |    | --   |         |        |
| 使用温度(Operating temperature)                              |                      |      |    | -40°C up to +125°C                                       |         |        |
| 焊接方式(Soldering recommend)                                |                      |      |    | --   |         |        |

■ 订购方式(How to order)



Web:www.china-tianli.com    TEL:+86-574-6347-9600,6389-6436    Mail : sale@china-tianli.cn  
地址:中国浙江省宁波杭州湾新区庵东工业园区纬三路138号  
ADD : 138 , Weisan Rd.,Andong Development Zone, Hangzhou Bay Area, Ningbo, Zhejiang, China

边盖 End Cover

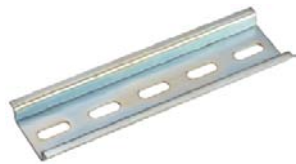
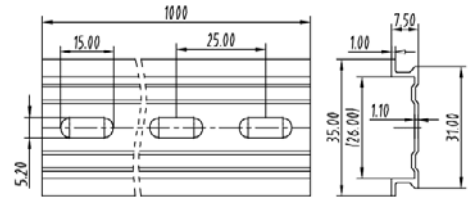


P/N : TBR10D End Cover

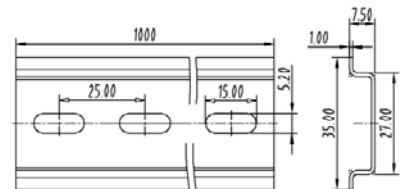
配件 ACCESSORIES FOR MODULAR AND RAIL-MOUNTED SERIES



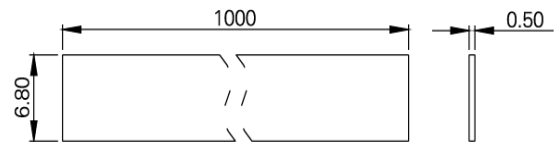
P/N : TH35-7.5-AL-1M



P/N : TH35-7.5-ST-1M



P/N : TBK10



P/N : TBT10

