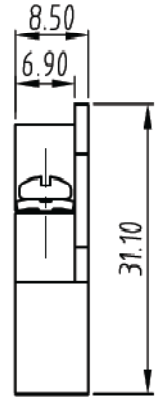
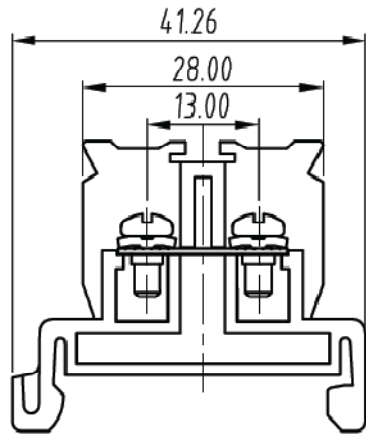


RAILMOUNTED TERMINAL BLOCKS — TBD10



图示(Pic. shown) : TBD10-K

General: Railmounted terminal Blocks Rated : 300V,10A , 16AWG
Single row , 8.50mm pitch , 02-12 Pole
Wiring orientation: 180°(wire-to-wire)
Screw clamp unit: M3.0, 0.8Nm Max

认证 (Approval) :

技术参数 Technical Data	UL standard			IEC standard		
UL应用组别(UL Application group)	UL Application group			IEC过电压别/污染等级(IEC overvoltage category /pollution degree)		
IEC过电压别/污染等级(IEC overvoltage category /pollution degree)	B	C	D	III / 3	III / 2	II / 2
额定电压(Rated voltage)	300V	300V	300V	--	--	--
额定电流(Rated current)	10A	10A	10A	--	--	--
额定连接容量(Rated connection capacity)	22-16AWG Sol&Str			--		
绝缘材料(Insulation Material)	PC V2					
电流承载部件材料和镀层(Material & Plating of Current carrier)	Copper alloy , Ni plated					
接线弹片材料(Material of Clamp spring)	--					
绝缘电阻(Insulation Resistance)	500MΩ or more at DC500V					
耐电压(1分钟)(Withstanding Voltage/1Min)	2000V					
额定冲击电压(Rated surge voltage)	--					
接线螺丝(Wire clamp unit Screw) , 最大扭矩(torque Max.)	M3.0, 0.8Nm Max					
固定螺丝(Mounting Screw) , 扭矩(torque)	--					
剥线长度(Wire stripping length)	--					
使用温度(Operating temperature)	-40°C up to +125°C					
焊接方式(Soldering recommend)	--					

订购方式(How to order)

