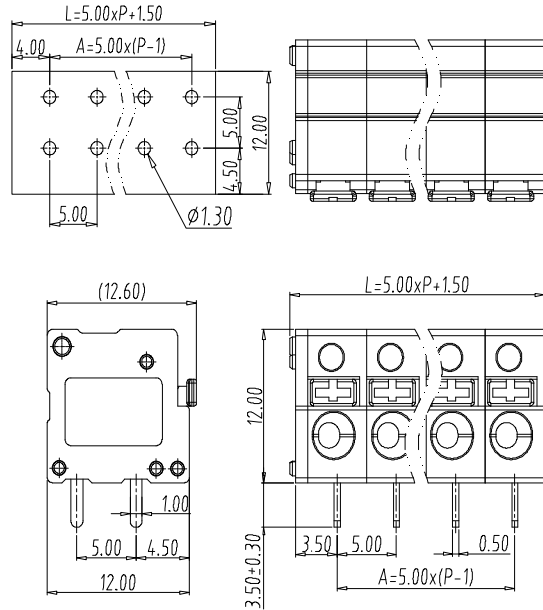



PCB terminal block — TLM series (Screwless Type) — TLM-214R



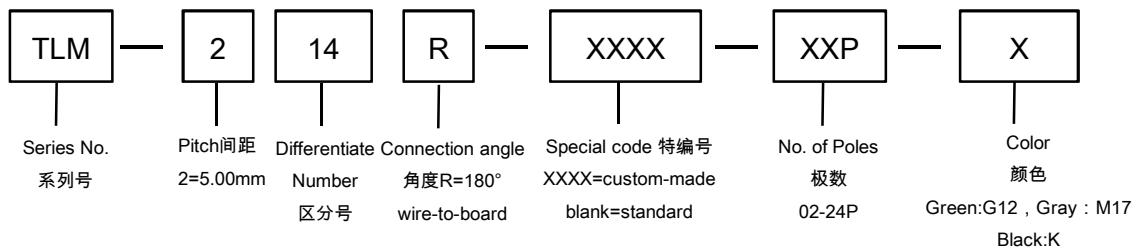
■ 图示(Pic. shown) : TLM-214R-04P-M17

General:	PCB terminal block	Rated : 300V, 15A	1.5mm ²
	Single row , 5.00mm pitch , 02-24 Pole		
	Wiring orientation: 180°(wire-to-board)		
	Screwless Type		

认证 (Approval) : 

技术参数 Technical Data	UL standard			IEC standard		
UL应用组别(UL Application group)	UL Application group			IEC过电压别/污染等级(IEC overvoltage category /pollution degree)		
IEC过电压别/污染等级(IEC overvoltage category /pollution degree)	B	C	D	III / 3	III / 2	II / 2
额定电压(Rated voltage)	300V	--	300V	320V	320V	630V
额定电流(Rated current)	8A	--	8A	15A	15A	15A
额定连接容量(Rated connection capacity)	24-14 AWG Sol&Str			0.2-1.5mm ² Sol&Str		
绝缘材料(Insulation Material)				PA66 UL94 V-0		
电流承载部件材料和镀层(Material & Plating of Current carrier)				Copper alloy , Tin plated		
接线弹片材料(Material of Clamp spring)				Stainless Steel		
绝缘电阻(Insulation Resistance)				500MΩ or more at DC500V		
耐电压(1分钟)(Withstanding Voltage/1Min)				2000V		
额定冲击电压(Rated surge voltage)				--		
接线螺丝(Wire clamp unit Screw) , 最大扭矩(torque Max.)				--		
固定螺丝(Mounting Screw) , 扭矩(torque)				--		
剥线长度(Wire stripping length)				8~9mm		
使用温度(Operating temperature)				-40°C up to +115°C		
焊接方式(Soldering recommend)	Wave soldering ,260°C 5S Max (Single Wave) , 260°C 10S Max(Double Wave)					

■ 订购方式(How to order)



Web: www.tielee.com/www.china-tianli.com/ TEL: +86-574-6347-9600, 6389-6436 Mail : sale@china-tianli.cn

地址: 中国浙江省宁波杭州湾新区庵东工业园区纬三路138号

ADD : 138 , Weisan Rd., Andong Development Zone, Hangzhou Bay Area, Ningbo, Zhejiang, China