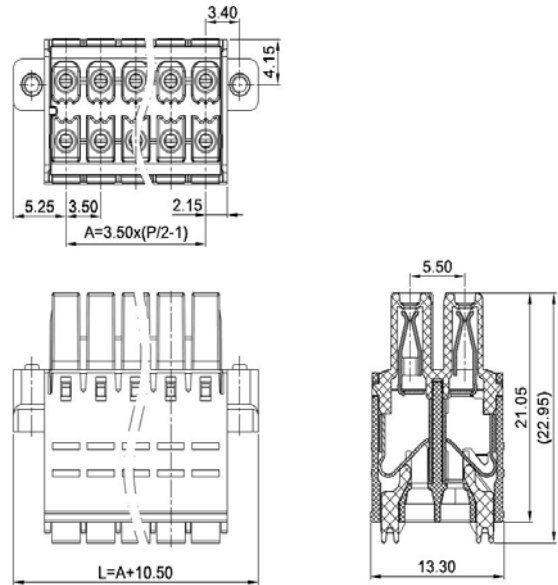
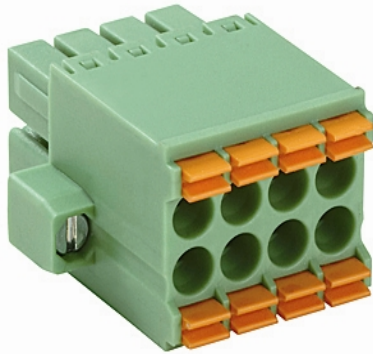


PCB Connector — TLP series ( Female Connector )— TLPSDW-010



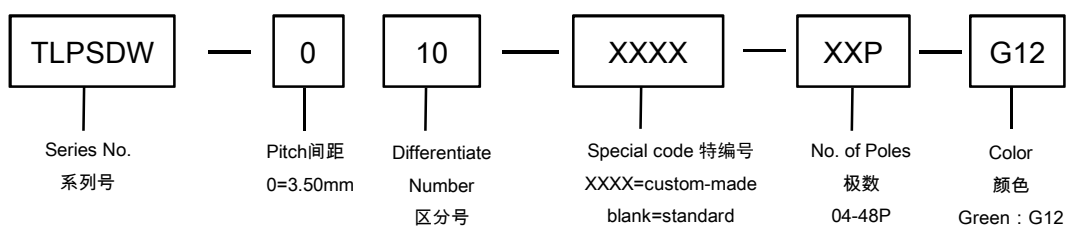
**图示(Pic. shown) : TLPSDW-010-08P-G12**

General:  
 PCB Connector Rated :160V,10A , 1.5mm<sup>2</sup>  
 Single row , 3.50mm pitch , 04-48 Pole  
 Orientation:180°(plug-in to board)  
 Screw clamp unit:

认证 ( Approval ) :

技术参数 Technical Data	UL standard			IEC standard		
UL应用组别(UL Application group)	UL Application group			IEC过电压别/污染等级(IEC overvoltage category /pollution degree)		
IEC过电压别/污染等级(IEC overvoltage category /pollution degree)	B	C	D	III / 3	III / 2	II / 2
额定电压(Rated voltage)	300V	50V	300V	--	160V	--
额定电流(Rated current)	8A	8A	8A	--	10A	--
额定连接容量(Rated connection capacity)	28-16AWG Sol&Str			0.34~1.5mm <sup>2</sup>		
绝缘材料(Insulation Material)	PA66 UL94 V-0					
电流承载部件材料和镀层( Material & Plating of Current carrier )	Copper alloy , Tin plated					
接线弹片材料(Material of Clamp spring )	--					
绝缘电阻(Insulation Resistance)	500MΩ or more at DC500V					
耐电压(1分钟)(Withstanding Voltage/1Min)	1600V					
额定冲击电压(Rated surge voltage)	--					
接线螺丝(Wire clamp unit Screw) , 最大扭矩( torque Max. )	--					
固定螺母(Mounting Nut) , 扭矩(torque)	--					
剥线长度(Wire stripping length)	10.0mm					
使用温度(Operating temperature)	-40°C up to +115°C					
焊接方式(Soldering recommend)	--					

**订购方式(How to order)**



Web:www.china-tianli.com TEL:+86-574-6347-9600,6389-6436 Mail : sale@china-tianli.cn  
 地址:中国浙江省宁波杭州湾新区庵东工业园区纬三路138号  
 ADD : 138 , Weisan Rd.,Andong Development Zone, Hangzhou Bay Area, Ningbo, Zhejiang, China

针座 ( Pin header ) — dual row in 1 plane



P/N : TLPHDW-010V  
Orientation :  
90°( plug-in to board )  
Rated : 160V,10A  
Closed side



P/N : TLPHDW-010R  
Orientation :  
180°( plug-in to board )  
Rated : 160V,10A  
Closed side