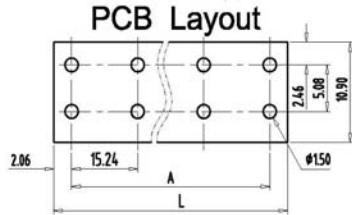
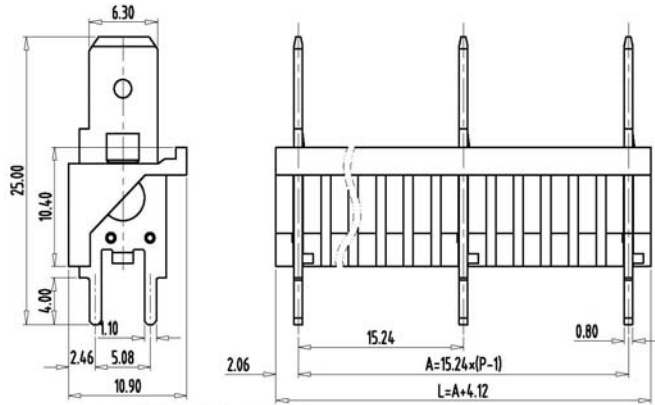
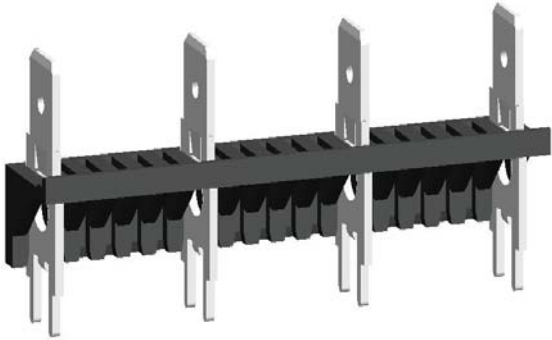


QUICK PLUG CONNECTOR P.C.B.-TQS-E-6.3-XXP-X



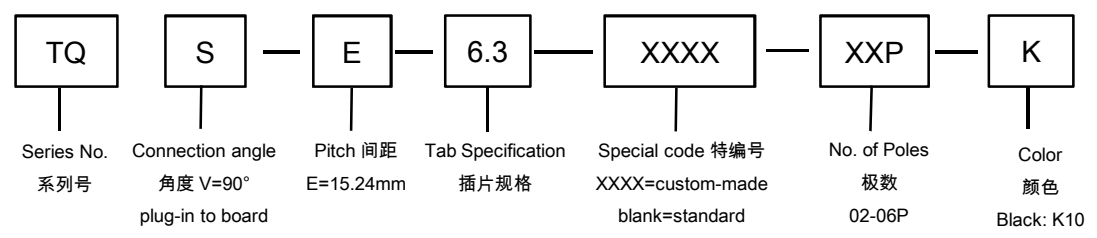
■ 图示(Pic. shown) : TQS-E-6.3-04P-K

General:
Quick plug connector P.C.B Rated : 300V,16A
Single row , 15.24mm pitch , 02-06 Pole
Orientation: 90°(plug-in to board)
Screw clamp unit:

认证 (Approval) :

| 技术参数 Technical Data | UL standard | | | IEC standard | | |
|--|---|------|----|--|---------|--------|
| UL应用组别(UL Application group) | UL Application group | | | IEC过电压别/污染等级(IEC overvoltage category /pollution degree) | | |
| IEC过电压别/污染等级(IEC overvoltage category /pollution degree) | B | C | D | III / 3 | III / 2 | II / 2 |
| 额定电压(Rated voltage) | 300V | 300V | -- | -- | -- | -- |
| 额定电流(Rated current) | 16A | 16A | -- | -- | -- | -- |
| 额定连接容量(Rated connection capacity) | -- | | | -- | | |
| 绝缘材料(Insulation Material) | PC UL 94 V0 | | | | | |
| 电流承载部件材料和镀层(Material & Plating of Current carrier) | Steel , Tin plated | | | | | |
| 接线弹片材料(Material of Clamp spring) | -- | | | | | |
| 绝缘电阻(Insulation Resistance) | 500MΩ or more at DC500V | | | | | |
| 耐电压(1分钟)(Withstanding Voltage/1Min) | 1600V | | | | | |
| 额定冲击电压(Rated surge voltage) | -- | | | | | |
| 适合的母端接线范围(Suitable Wire Range in female contact) | 14AWG | | | | | |
| 固定螺丝(Mounting Screw) , 扭矩(torque) | -- | | | | | |
| 剥线长度(Wire stripping length) | -- | | | | | |
| 使用温度(Operating temperature) | -40°C up to +125°C | | | | | |
| 焊接方式(Soldering recommend) | Wave soldering ,260°C 5S Max (Single Wave) , 260°C 10S Max(Double Wave) | | | | | |

■ 订购方式(How to order)



Web:www.china-tianli.com TEL:+86-574-6347-9600,6389-6436 Mail : sale@china-tianli.cn
地址:中国浙江省宁波杭州湾新区庵东工业园区纬三路138号
ADD : 138 , Weisan Rd.,Andong Development Zone, Hangzhou Bay Area, Ningbo, Zhejiang, China