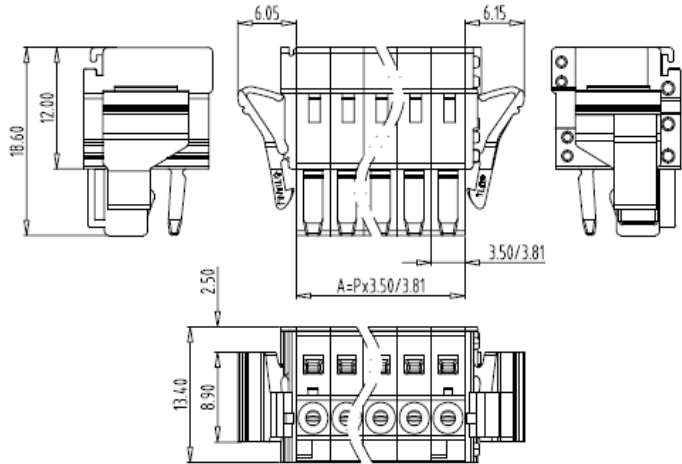


Multi Connection System — TLC series ( Female Connector ) — TLCPL-001



■ 图示(Pic. shown) : TLCPL-001-04P-M17

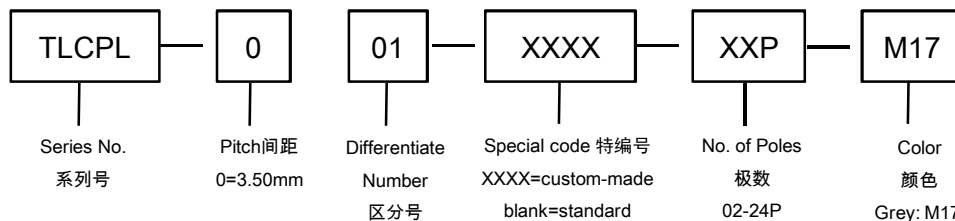
General.	Multi Connection System Rated : 160V,12A , 1.5mm <sup>2</sup>
	Single row , 3.50mm pitch , 02-24 Pole
	Wiring orientation: 180°(wire to plug-in)
	Screwless Type

认证 ( Approval ) :



技术参数 Technical Data	UL standard			IEC standard		
UL应用组别(UL Application group)	UL Application group			IEC过电压别/污染等级(IEC overvoltage category /pollution degree)		
IEC过电压别/污染等级(IEC overvoltage category /pollution degree)	B	C	D	III / 3	III / 2	II / 2
额定电压(Rated voltage)	300V	/	300V	160V	160V	320V
额定电流(Rated current)	12A	/	10A	12A	12A	12A
额定连接容量(Rated connection capacity)	28-14AWG Sol&Str			0.2-1.5mm <sup>2</sup> Sol&Str		
绝缘材料(Insulation Material)				PA66 ; UL94-V0		
电流承载部件材料和镀层( Material & Plating of Current carrier )				Copper alloy , Tin plated		
接线弹片材料(Material of Clamp spring )				Stainless Steel		
绝缘电阻(Insulation Resistance)				500MΩ or more at DC500V		
耐电压(1分钟)(Withstanding Voltage/1Min)				AC2200V/Min		
额定冲击电压(Rated surge voltage)				2500V		
接线螺丝(Wire clamp unit Screw) , 最大扭矩( torque Max. )				--		
固定螺丝(Mounting Screw) , 扭矩(torque)				--		
剥线长度(Wire stripping length)				7.0mm		
使用温度(Operating temperature)				-40°C up to +115°C		
焊接方式(Soldering recommend)				--		

■ 订购方式(How to order)

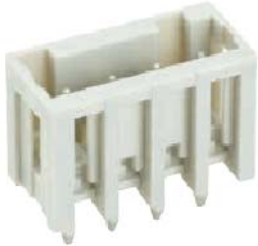


接线操作杆 Operating lever



P/N:  
TLC-A02

针座 ( Pin header )



P/N : TLCH-001V  
Orientation :  
90° ( plug-in to board )  
Rated:160V,12A



P/N : TLCH-001R  
Orientation :  
180° ( plug-in to board )  
Rated:160V,12A