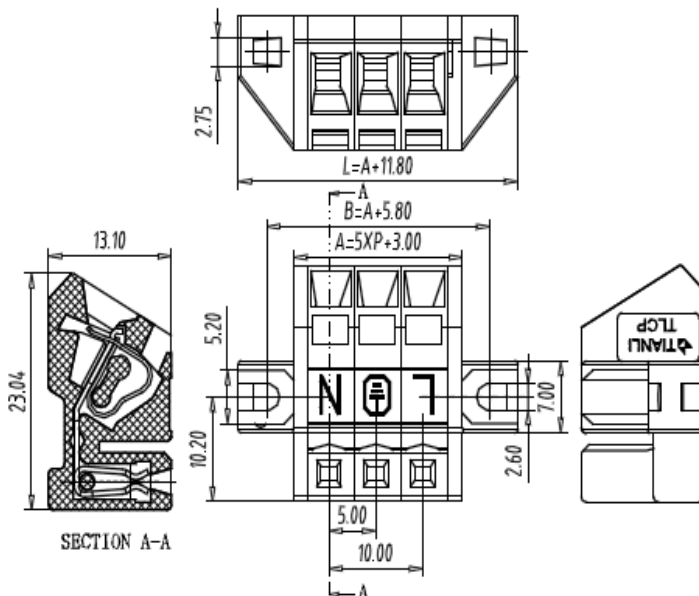


Multi Connection System — TLC series ( Female Connector )— TLCPM-201



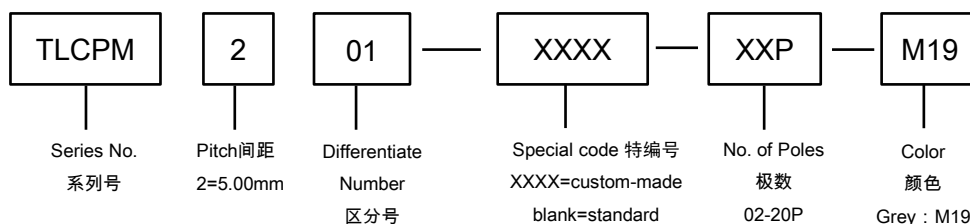
■ 图示(Pic. shown) : TLCPM-201-03P-M19

General: Multi Connection System Rated : 320V,17.5A  
Single row, 5.00mm pitch, 02-20 Pole  
Orientation:60°(plug-in to wire)

认证 ( Approval ) :

■ 技术参数 Technical Data	UL standard			IEC standard		
	UL Application group			IEC过电压别/污染等级(IEC overvoltage category /pollution degree)		
UL应用组别(UL Application group)	UL Application group			IEC过电压别/污染等级(IEC overvoltage category /pollution degree)		
IEC过电压别/污染等级(IEC overvoltage category /pollution degree)	B	C	D	III / 3	III / 2	II / 2
额定电压(Rated voltage)	300V	--	300V	--	320V	--
额定电流(Rated current)	15A	--	10A	--	17.5A	--
额定连接容量(Rated connection capacity)	--			--		
绝缘材料(Insulation Material)	--			PA66 UL94 V-0		
电流承载部件材料和镀层( Material & Plating of Current carrier )	--			Copper alloy , Tin plated		
接线弹片材料(Material of Clamp spring )	--			--		
绝缘电阻(Insulation Resistance)	--			500MΩ or more at DC500V		
耐电压(1分钟)(Withstanding Voltage/1Min)	--			2000V		
额定冲击电压(Rated surge voltage)	--			--		
接线螺丝(Wire clamp unit Screw), 最大扭矩( torque Max. )	--			--		
固定螺丝(Mounting Screw), 扭矩(torque)	--			--		
剥线长度(Wire stripping length)	--			8.0mm		
使用温度(Operating temperature)	--			-33°C up to +105°C		
焊接方式(Soldering recommend)	--			--		

■ 订购方式(How to order)



Web:www.china-tianli.com

TEL:+86-574-6347-9600,6389-6436

Mail : sale@china-tianli.cn

地址:中国浙江省宁波杭州湾新区庵东工业园区纬三路138号

ADD : 138 , Weisan Rd.,Andong Development Zone, Hangzhou Bay Area, Ningbo, Zhejiang, China

针座 ( Pin header )



P/N : TLCH-200V  
Orientation :  
90° ( plug-in to board )  
Rated:320V,17.5A



P/N : TLCHM-200V  
Orientation :  
90° ( plug-in to board )  
Rated:320V,17.5A  
With mounting flanges



P/N : TLCH-200R  
Orientation :  
180° ( plug-in to board )  
Rated:320V,17.5A



P/N : TLCHM-200R  
Orientation :  
180° ( plug-in to board )  
Rated:320V,17.5A  
With mounting flanges



P/N : TLCHM-202  
Orientation :  
90° ( plug-in to wire )  
Rated:320V,17.5A  
With mounting flanges