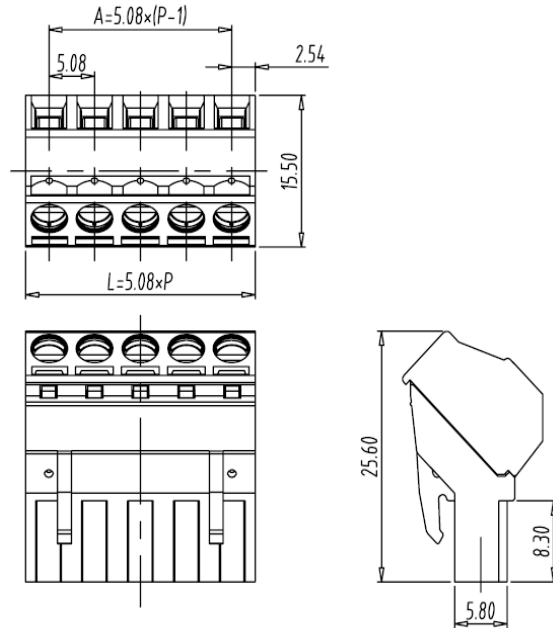


PCB Connector — TLP series ( Female Connector ) — TLPS-308



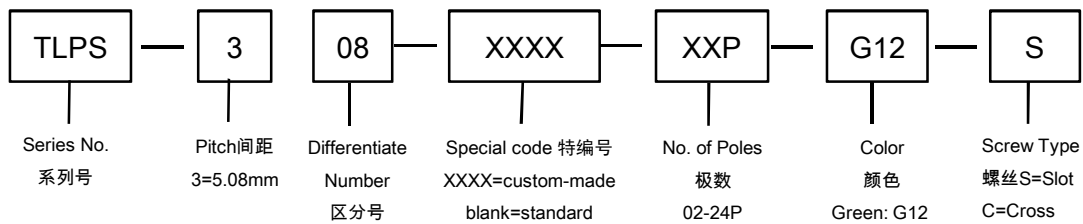
**图示(Pic. shown) : TLPS-308-10P-G12S**

General:	PCB Connector Rated : 320V,20A 0.2-2.5mm <sup>2</sup>
	Single row , 5.08mm pitch , 02-24 Pole
	Wiring orientation: 45°(wire to plug-in)
	Screw clamp unit. M3.0, 0.6Nm

认证 ( Approval ) :

技术参数 Technical Data	UL standard			IEC standard		
UL应用组别(UL Application group)	UL Application group			IEC过电压别/污染等级(IEC overvoltage category /pollution degree)		
IEC过电压别/污染等级(IEC overvoltage category /pollution degree)	B	C	D	III / 3	III / 2	II / 2
额定电压(Rated voltage)	300V	/	300V	/	320V	/
额定电流(Rated current)	16A	/	10A	/	20A	/
额定连接容量(Rated connection capacity)	28-12AWG Sol&Str			0.2~2.5mm <sup>2</sup> Sol&Str 4.0mm <sup>2</sup> Sol		
绝缘材料(Insulation Material)				PA66 ; UL94-V0		
电流承载部件材料和镀层( Material & Plating of Current carrier )				Copper alloy , Tin plated		
接线弹片材料(Material of Clamp spring )				Stainless Steel		
绝缘电阻(Insulation Resistance)				500MΩ or more at DC500V		
耐电压(1分钟)(Withstanding Voltage/1Min)				AC3100V/Min		
额定冲击电压(Rated surge voltage)				4.0KV		
接线螺丝(Wire clamp unit Screw) , 最大扭矩( torque Max. )				M3.0, 0.6Nm		
固定螺丝(Mounting Screw) , 扭矩(torque)				--		
剥线长度(Wire stripping length)				11.0mm		
使用温度(Operating temperature)				-40°C up to +115°C		
焊接方式(Soldering recommend)				--		

**订购方式(How to order)**



■ 针座 ( Pin header ) — single row



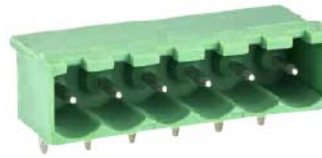
P/N : TLPH-300V  
Orientation :  
90° ( plug-in to board )  
Rated:320V,20A  
Open side(stack available)



P/N : TLPH-300R  
Orientation :  
180° ( plug-in to board )  
Rated:320V,20A  
Open side(stack available)



P/N : TLPHC-300V  
Orientation :  
90° ( plug-in to board )  
Rated:320V,20A  
Closed side



P/N : TLPHC-300R  
Orientation :  
180° ( plug-in to board )  
Rated:320V,20A  
Closed side