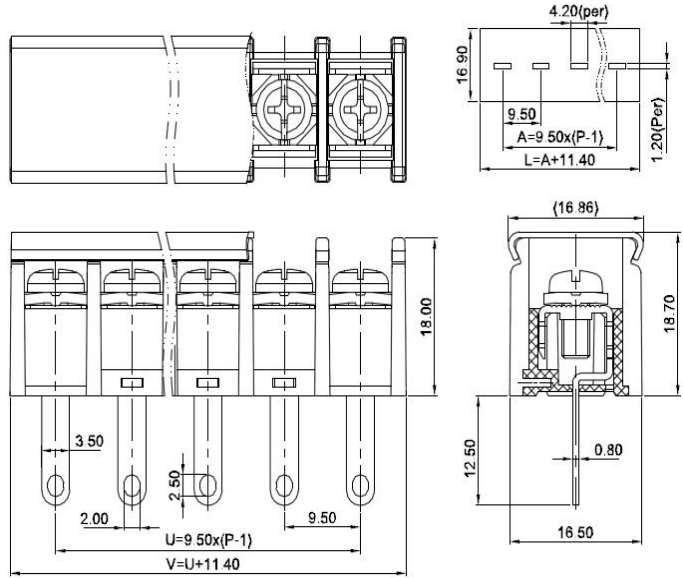


PCB terminal block — BARRIER SERIES—B950C-04



■ 图示(Pic. shown) : B950C-04-05P-KC

General.	PCB terminal block	Rated : 300V,25A , 22-10 Sol & Str
	Single row , 9.50mm pitch , 02-24 Pole	
	Wiring orientation: 180°(wire-to-board)	
	Screw clamp unit: M3.5, 1.0Nm Max	

认证 ( Approval ) :

技术参数 Technical Data	UL standard			IEC standard		
UL应用组别(UL Application group)	UL Application group			IEC过电压别/污染等级(IEC overvoltage category /pollution degree)		
IEC过电压别/污染等级(IEC overvoltage category /pollution degree)	B	C	D	III / 3	III / 2	II / 2
额定电压(Rated voltage)	300V	--	300V	--	--	--
额定电流(Rated current)	25A	--	10A	--	--	--
额定连接容量(Rated connection capacity)	22-10AWG Sol&Str			--		
绝缘材料(Insulation Material)	PA66 UL94 V-0					
电流承载部件材料和镀层( Material & Plating of Current carrier )	Copper alloy , Tin plated					
接线弹片材料(Material of Clamp spring )	--					
绝缘电阻(Insulation Resistance)	500MΩ or more at DC500V					
耐电压(1分钟)(Withstanding Voltage/1Min)	2500V					
额定冲击电压(Rated surge voltage)	--					
接线螺丝(Wire clamp unit Screw) , 最大扭矩( torque Max. )	M3.5 , 1.0Nm Max					
固定螺丝(Mounting Screw) , 扭矩(torque)	--					
剥线长度(Wire stripping length)	--					
使用温度(Operating temperature)	-40°C up to +105°C					
焊接方式(Soldering recommend)	Wave soldering ,260°C 5S Max (Single Wave) , 260°C 10S Max(Double Wave)					

■ 订购方式(How to order)

