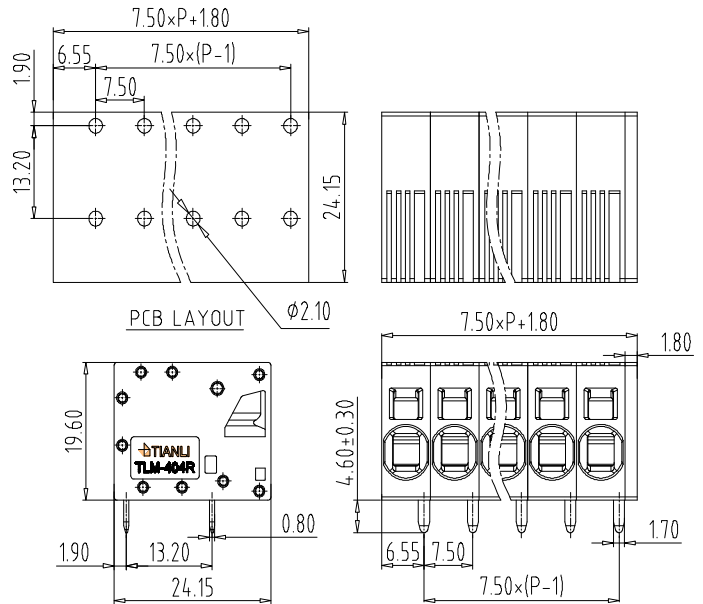


PCB terminal block — TLM series (Screwless Type) — TLM-404R



■ 图示(Pic. shown) : TLM-404R-04P-G12

General:
 PCB terminal block Rated:1000V (630V ≥02P),41A 10mm²
 Single row , 7.50mm pitch , 01-16 Pole
 Wiring orientation:180°(wire-to-board)
 Screwless Type

认证 (Approval) :

| 技术参数 Technical Data | UL standard | | | IEC standard | | |
|--|---|------|------|--|--------------------|--------|
| UL应用组别(UL Application group) | UL Application group | | | IEC过电压别/污染等级(IEC overvoltage category /pollution degree) | | |
| IEC过电压别/污染等级(IEC overvoltage category /pollution degree) | B | C | D | III / 3 | III / 2 | II / 2 |
| 额定电压(Rated voltage) | 300V | 150V | 300V | -- | 1000V (01P) ,41A | -- |
| 额定电流(Rated current) | 40A | 40A | 10A | -- | 630V(≥02P) , 41A | -- |
| 额定连接容量(Rated connection capacity) | 24-8 AWG Sol&Str | | | 0.2-6mm ² Sol&Str , 10mm ² (Sol) | | |
| 绝缘材料(Insulation Material) | PA66 UL94 V-0 | | | | | |
| 电流承载部件材料和镀层(Material & Plating of Current carrier) | Copper alloy , Tin plated | | | | | |
| 接线弹片材料(Material of Clamp spring) | Stainless Steel (GrNi) | | | | | |
| 绝缘电阻(Insulation Resistance) | 500MΩ or more at DC500V | | | | | |
| 耐电压(1分钟)(Withstanding Voltage/1Min) | -- | | | | | |
| 额定冲击电压(Rated surge voltage) | 6KV | | | | | |
| 接线螺丝(Wire clamp unit Screw) , 最大扭矩(torque Max.) | -- | | | | | |
| 固定螺丝(Mounting Screw) , 扭矩(torque) | -- | | | | | |
| 剥线长度(Wire stripping length) | 10mm | | | | | |
| 使用温度(Operating temperature) | -40°C up to +105°C | | | | | |
| 焊接方式(Soldering recommend) | Wave soldering ,260°C 5S Max (Single Wave) , 260°C 10S Max(Double Wave) | | | | | |

■ 订购方式(How to order)

