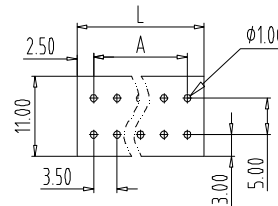
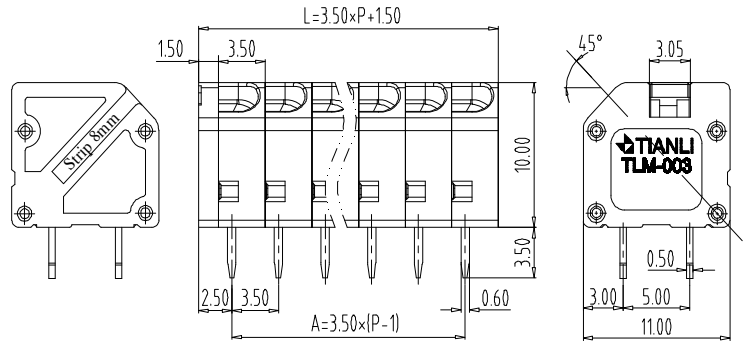
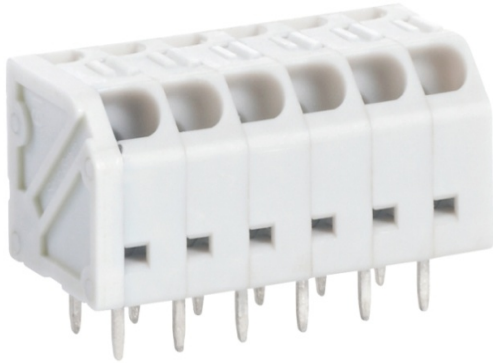


PCB terminal block — TLM series (Screwless Type) — TLM-003



■ 图示(Pic. shown) : TLM-003-05P-M17

General.	PCB terminal block	Rated : 300V, 10A 1.5mm ²
	Single row , 3.50mm pitch , 02-24 Pole	
	Wiring orientation: 45°(wire-to-board)	
	Screwless Type	

认证 (Approval) :

技术参数 Technical Data	UL standard			IEC standard		
UL应用组别(UL Application group)	UL Application group			IEC过电压别/污染等级(IEC overvoltage category /pollution degree)		
IEC过电压别/污染等级(IEC overvoltage category /pollution degree)	B	C	D	III / 3	III / 2	II / 2
额定电压(Rated voltage)	300V	--	300V	--	160V	--
额定电流(Rated current)	10A	--	10A	--	15A	--
额定连接容量(Rated connection capacity)	26-16 AWG Sol&Str			0.34-1.5mm ² Sol&Str		
绝缘材料(Insulation Material)	PA66			UL94 V-0		
电流承载部件材料和镀层(Material & Plating of Current carrier)	Copper alloy			Tin plated		
接线弹片材料(Material of Clamp spring)	Stainless Steel			Stainless Steel		
绝缘电阻(Insulation Resistance)	500MΩ or more at DC500V			500MΩ or more at DC500V		
耐电压(1分钟)(Withstanding Voltage/1Min)	1600V			1600V		
额定冲击电压(Rated surge voltage)	2.5KV			2.5KV		
接线螺丝(Wire clamp unit Screw) , 最大扭矩(torque Max.)	--			--		
固定螺丝(Mounting Screw) , 扭矩(torque)	--			--		
剥线长度(Wire stripping length)	8.0mm			8.0mm		
使用温度(Operating temperature)	-40°C up to +105°C			-40°C up to +105°C		
焊接方式(Soldering recommend)	Wave soldering ,260°C 5S Max (Single Wave) , 260°C 10S Max(Double Wave)					

■ 订购方式(How to order)

