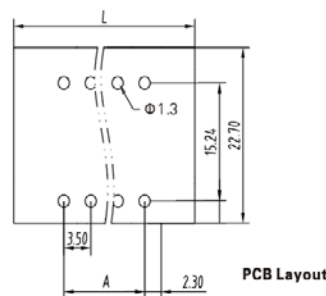
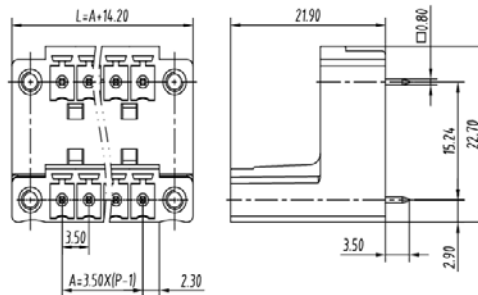
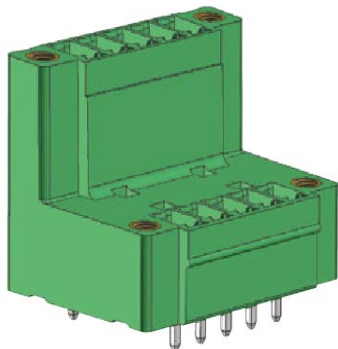


PCB Connector — TLP series (Pin header)— TLPHDW-005V



■ 图示(Pic. shown) : TLPHDW-005V-08P-G12

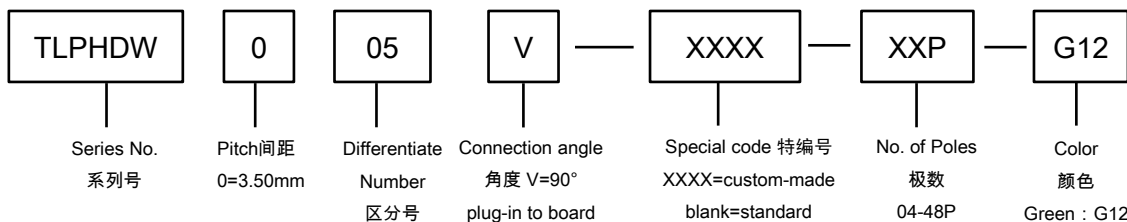
General. PCB Connector Rated : 160V,10A
Single row, 3.50mm pitch, 04-48 Pole
Orientation:90°(plug-in to board)

认证 (Approval) :



■ 技术参数 Technical Data	UL standard			IEC standard		
	UL Application group			IEC过电压别/污染等级(IEC overvoltage category /pollution degree)		
UL应用组别(UL Application group)	UL Application group			III / 3		
IEC过电压别/污染等级(IEC overvoltage category /pollution degree)	B	C	D	III / 2	II / 2	
额定电压(Rated voltage)	300V	--	300V	--	160V	--
额定电流(Rated current)	10A	--	10A	--	10A	--
额定连接容量(Rated connection capacity)	--			--		
绝缘材料(Insulation Material)				PA66 UL94 V-0		
电流承载部件材料和镀层(Material & Plating of Current carrier)				Copper alloy , Tin plated		
接线弹片材料(Material of Clamp spring)				--		
绝缘电阻(Insulation Resistance)				500MΩ or more at DC500V		
耐电压(1分钟)(Withstanding Voltage/1Min)				1600V		
额定冲击电压(Rated surge voltage)				--		
接线螺丝(Wire clamp unit Screw), 最大扭矩(torque Max.)				--		
固定螺母(Mounting Nut), 扭矩(torque)				M2.5, 0.25Nm Max		
剥线长度(Wire stripping length)				--		
使用温度(Operating temperature)				-40°C up to +105°C		
焊接方式(Soldering recommend)	Wave soldering ,260°C 5S Max (Single Wave) , 260°C 10S Max(Double Wave)					

■ 订购方式(How to order)



Web:www.china-tianli.com TEL:+86-574-6347-9600,6389-6436 Mail : sale@china-tianli.cn
地址:中国浙江省宁波杭州湾新区庵东工业园区纬三路138号
ADD : 138 , Weisan Rd.,Andong Development Zone, Hangzhou Bay Area, Ningbo, Zhejiang, China

■ 编码片 Coding key



P/N:
TLPCK-001-S

■ 插头 (Female Connector) — single row



P/N : TLPSW-001V
Wiring orientation :
180°(wire to plug-in)
Rated : 150V,10A , 1.5mm²
Screw clamp unit: M2.0 , 0.2Nm
With screw flange



P/N : TLPSW-001R
Wiring orientation :
90°(wire to plug-in)
Rated : 160V,10A , 1.5mm²
Screw clamp unit: M2.0 , 0.2Nm
With screw flange



P/N : TLPSW-001RL
Wiring orientation :
270°(wire to plug-in)
Rated : 160V,10A , 1.5mm²
Screw clamp unit: M2.0 , 0.2Nm
With screw flange



P/N : TLPSW-002V
Wiring orientation :
180°(wire to plug-in)
Rated : 160V,10A , 1.5mm²
Spring clamp unit.
With screw flange